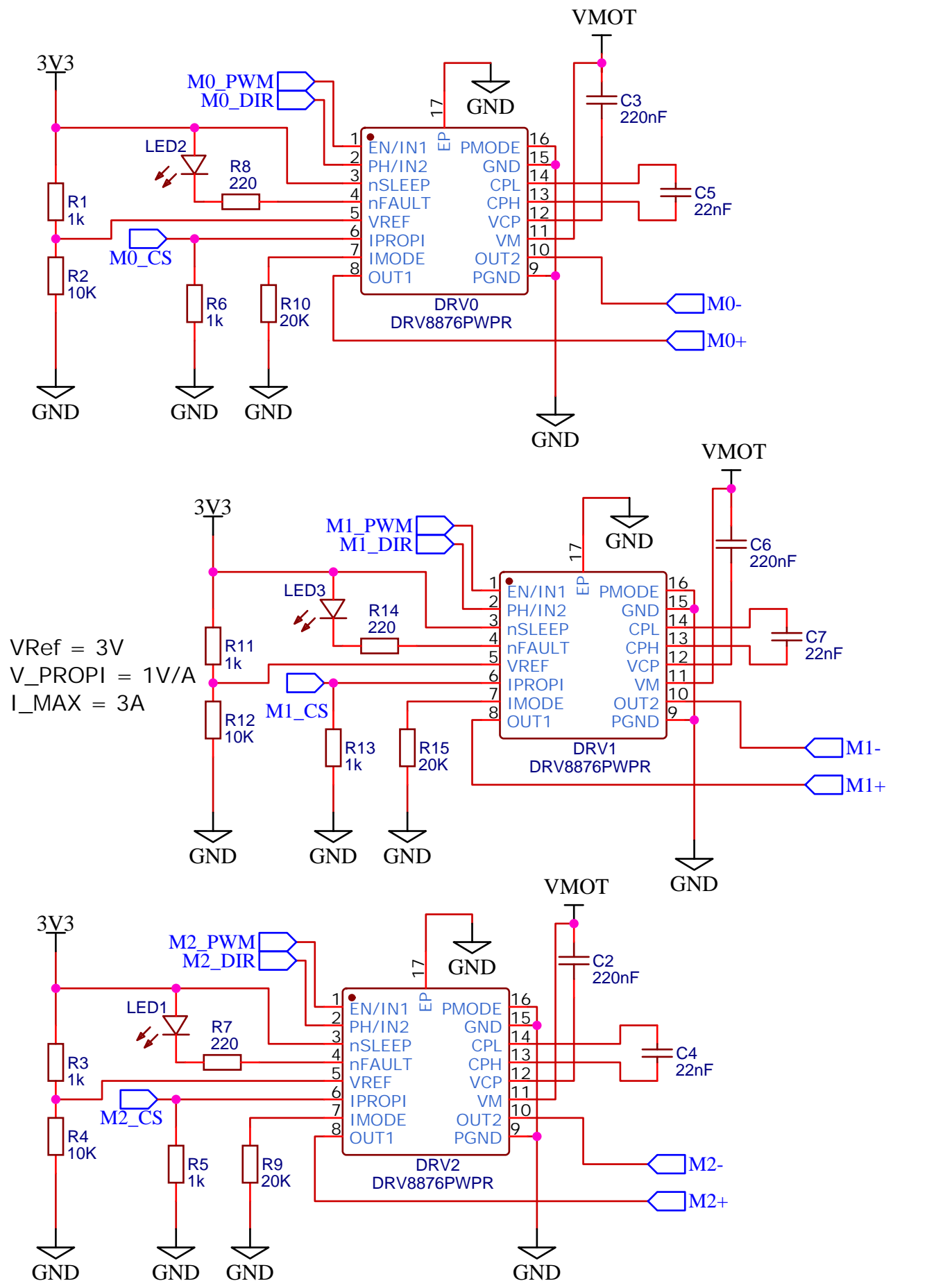


MOTOR PWMS: 1A, 1B, 6A, 2B

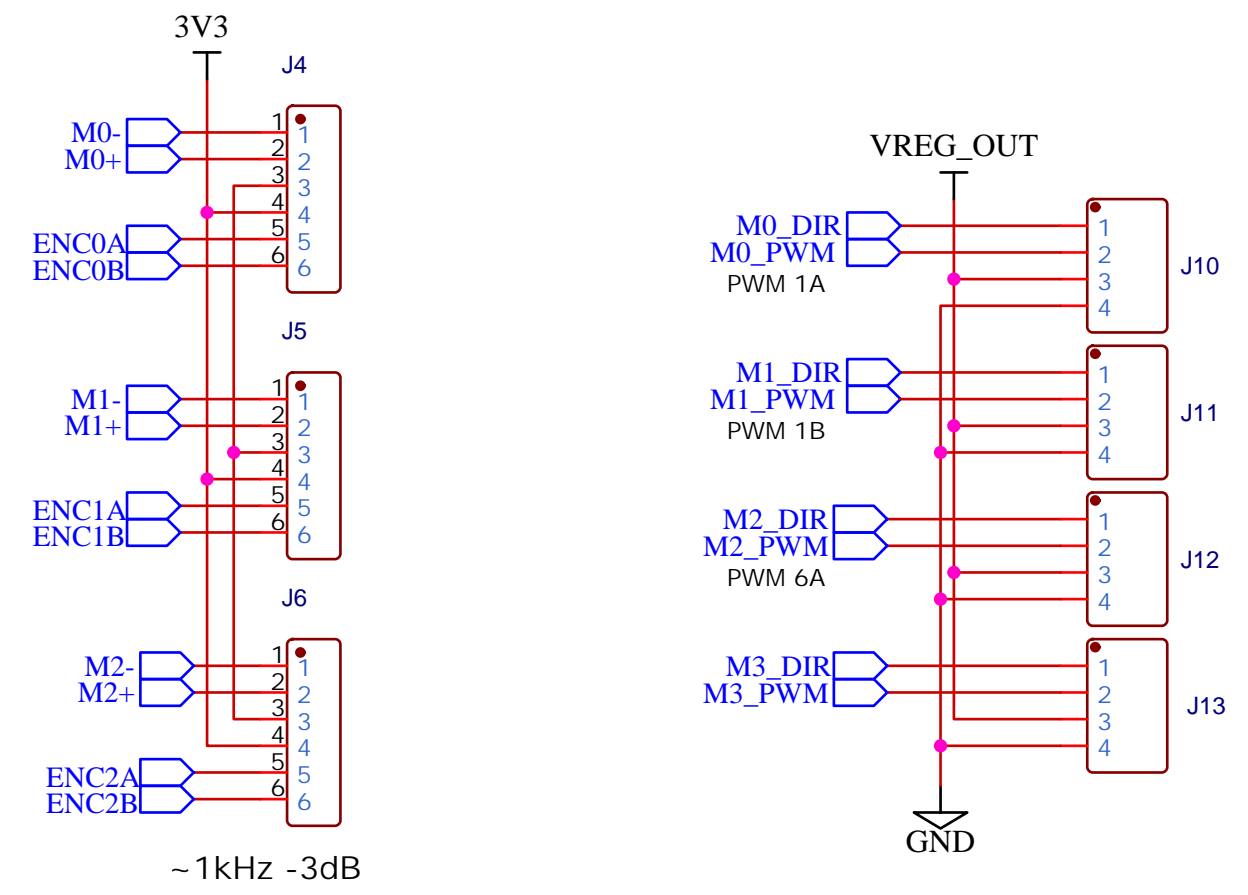
TITLE: Connections		REV: 1.0
Company: Michigan Robotics		Sheet: 1/4
Date: 2022-05-20	Drawn By: Peter Gaskell	

### Motor Drivers



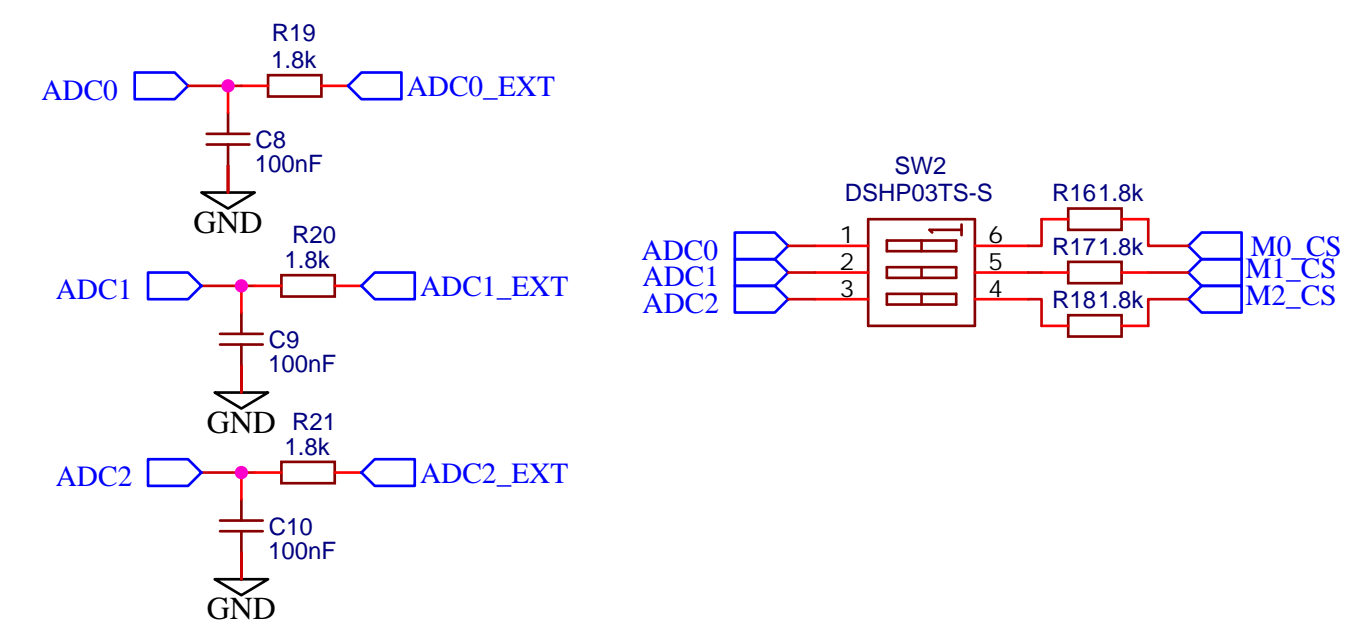
V<sub>Ref</sub> = 3V  
 V<sub>PROPI</sub> = 1V/A  
 I<sub>MAX</sub> = 3A

### Motor & Servo Connections



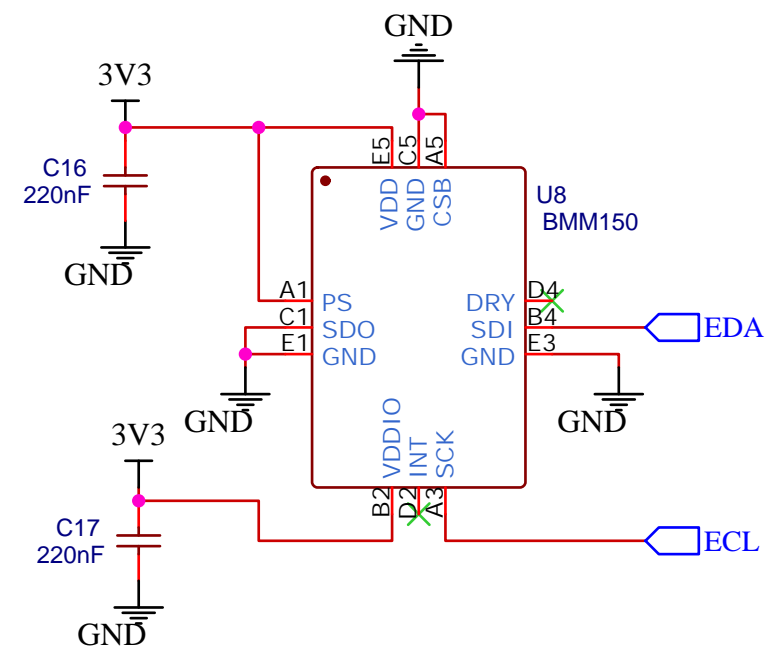
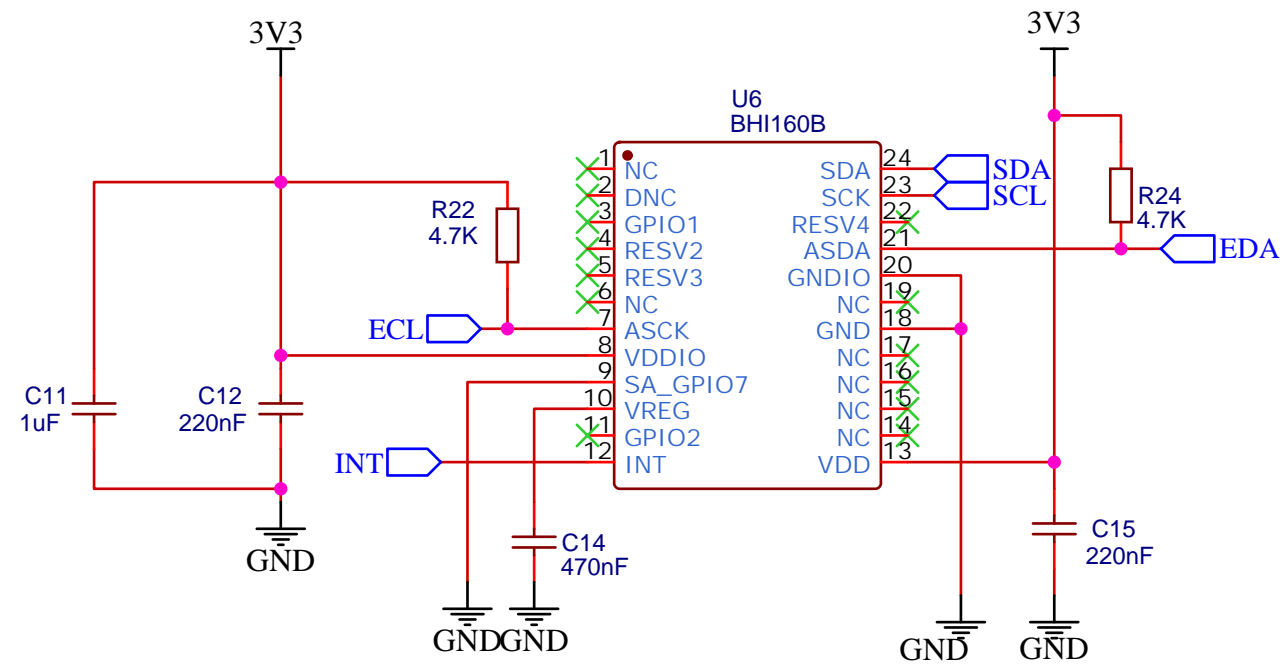
~1kHz -3dB

### Current Sense Switching / Filter

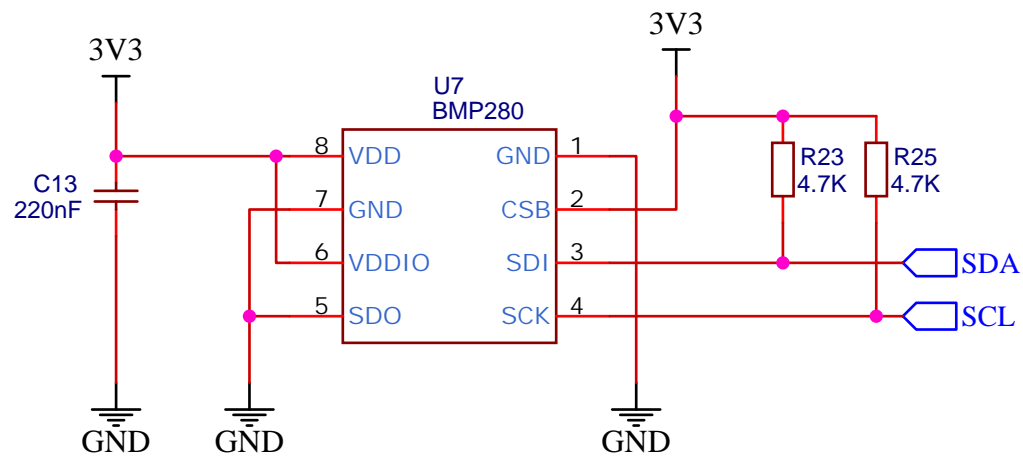


TITLE: MBot Control Board: Motor Drivers		REV: 1.0
Company: Michigan Robotics		Sheet: 2/4
Date: 2022-11-03	Drawn By: Peter Gaskell	

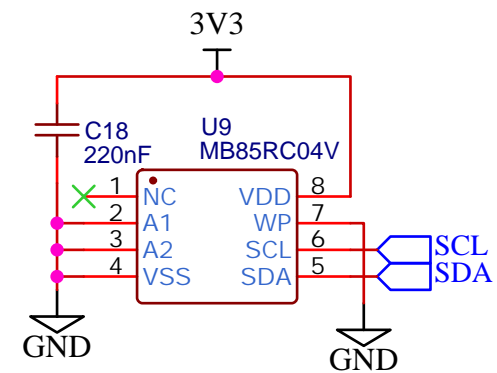
9DOF IMU - Accelerometer / Rate Gyro + Magnetometer



Barometer

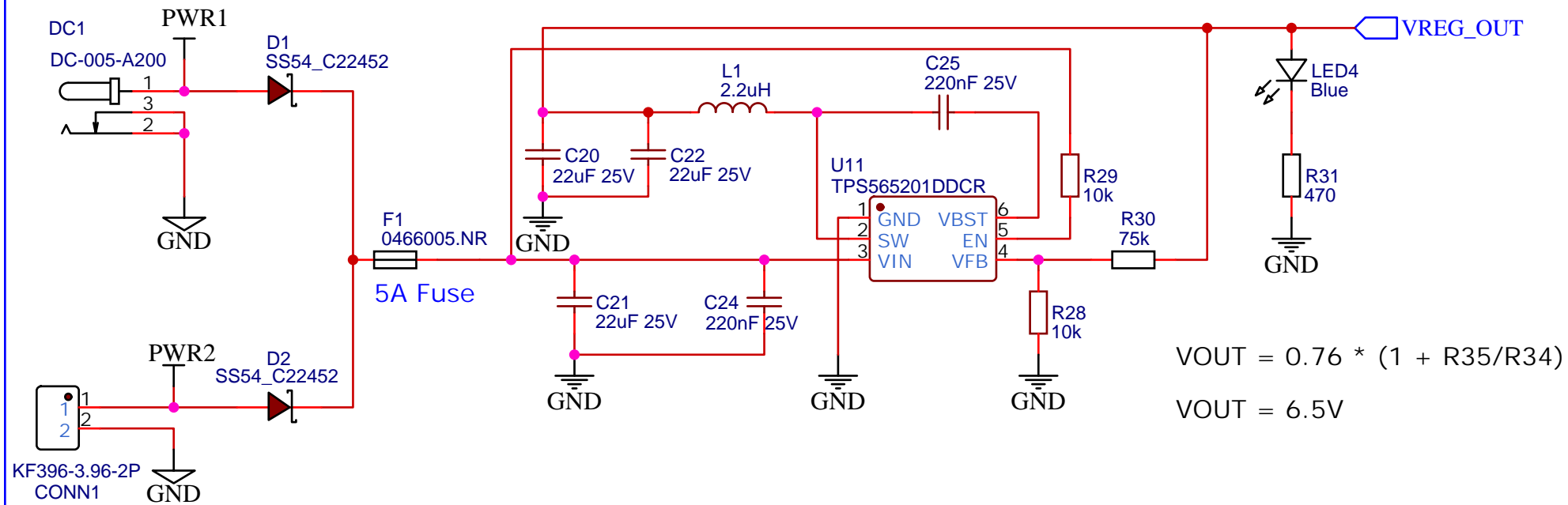


FRAM Storage

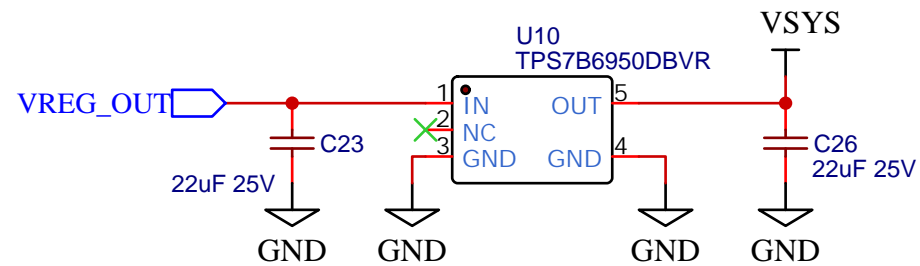


TITLE: IMU		REV: 1.0
Company: Michigan Robotics		Sheet: 3/4
Date: 2022-11-08		Drawn By: Peter Gaskell

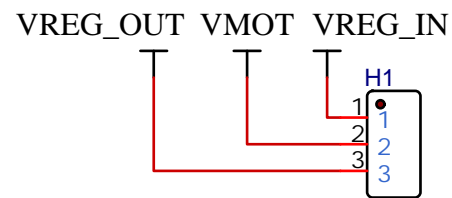
### 6.5V 4A Switching Regulator



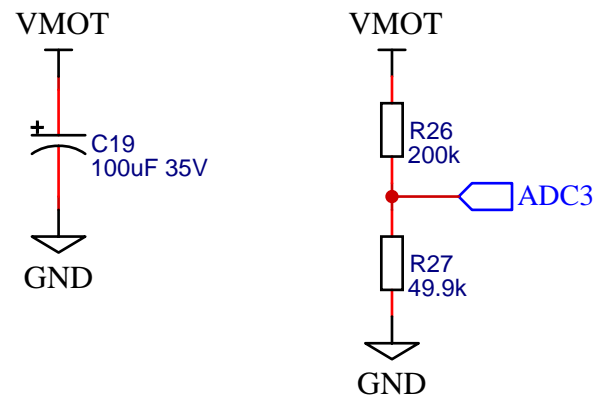
### 5V Fixed LDO Regulator



### Motor Voltage Select Jumper



### VMOT Sense Divider



TITLE: MBot Control Board: Power Supply		REV: 1.0
Company: Michigan Robotics		Sheet: 4/4
Date: 2022-11-18		Drawn By: Peter Gaskell